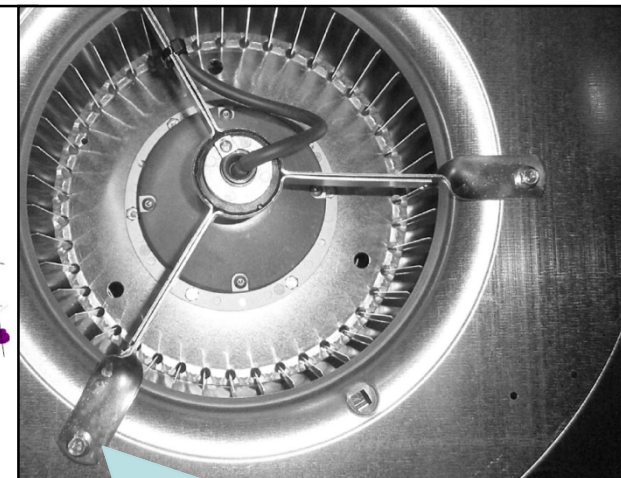
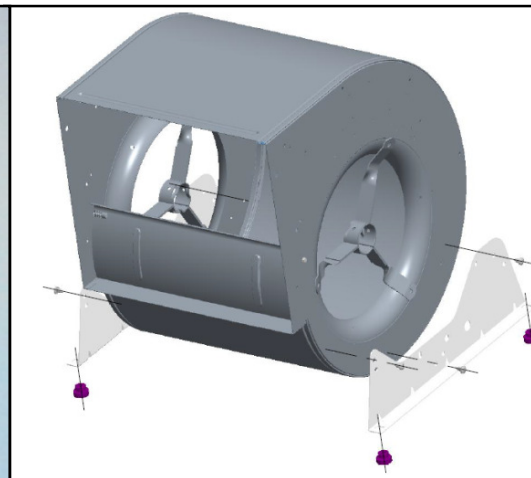


Accessory	Mounting feet kit
<b>To be used for:</b>	AT-S, AT-G2L, DD, DDM, DDMP.
<b>Material:</b>	Galvanised steel to EN 10346 standard.
<b>Special executions:</b>	Upon request, they can be supplied with coating according to Nicotra-Gebhardt SPACQ032 specification. The colour is Grey RAL 7030 shiny smooth with min.thickness 60µm (P1) or 120µm (P2).
<b>Installation</b>	Fix to the sides using self threading screws 6,3x12,5 (UNI EN ISO 7049:2012), insert the vibration insulators into the holes of the mounting feet. The mounting kit contains screws and vibration insulators. The feet can be fixed so as to allow the fan to be installed with the scroll orientated to 0°, 90°, 180° e 270°. The below mentioned codes are suitable for fans with spiders, bearing supports or motor brackets fixed on the curve part of the inlet cone: for spiders fixed on the flat part of the side plate, see pic, please contact the technical dept of Nicotra– Gebhardt.

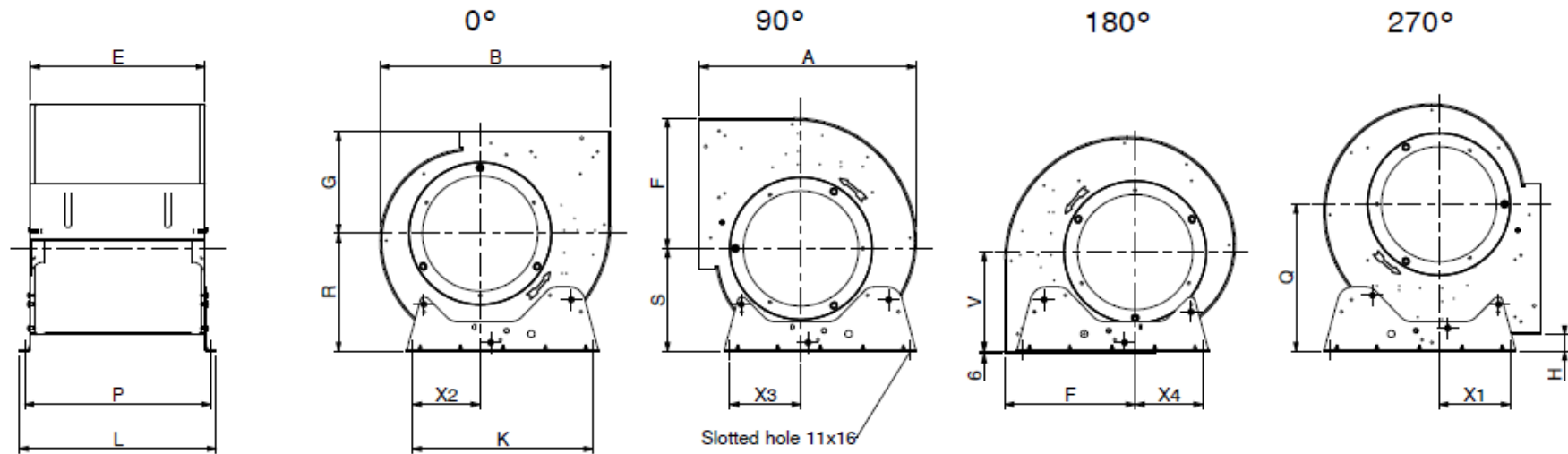


N°4 Vibration insulators

N°6 Screws 6,3x12,5



Spiders fixed on the flat part of the side plate require special mounting feet.



Size	Code	A	B	E	F	G	H	K	L	P	Q	R	S	V	X1	X2	X3	X4
7/7	RA80003ZZ0000000	316	325	232	187	153	17	225	282	258	203	169	145	147	117	86	88	47
7/9	RA80003ZZ0000000	316	325	298	187	153	17	225	348	324	203	169	145	147	117	86	88	47
8/7 Tig	RA80003ZZ0000000	318	326	232	185	155	15	225	282	258	201	169	147	-	120	85,5	95	-
8/9 Tig	RA80003ZZ0000000	318	326	298	185	155	15	225	348	324	201	169	147	-	120	85,5	95	-
9/7	RA80005ZZ0000000	379	387	232	216	185	38	300	282	258	253	199	177	179	119	124	123	120
9/9	RA80005ZZ0000000	379	387	298	216	185	38	300	348	324	253	199	177	179	119	124	123	120
10/8	RA80006ZZ0000000	425	443	265	250	203	38	340	315	291	287	227	198	197	136	132	135	132
10/10	RA80006ZZ0000000	425	443	331	250	203	38	340	381	357	287	227	198	197	136	132	135	132
12/9	RA80008ZZ0000000	491	521	309	295	230	38	408	359	335	332	266	232	224	161	153	161	153
12/12	RA80008ZZ0000000	491	521	395	295	230	38	408	445	421	332	266	232	224	161	153	161	153
15/11	RA8000BZZ0000000	569	609	373	343	264	38	495	423	399	380	309	272	258	197	211	201	200
15/15	RA8000BZZ0000000	569	609	471	343	264	38	495	521	497	380	309	272	258	197	211	201	200
18/13	RA8000CZZ0000000	684	739	430	416	314	42	608	480	456	457	376	340	307	262	283	278	288
18/18	RA8000CZZ0000000	684	739	557	416	314	42	608	607	583	457	376	340	307	262	283	278	288