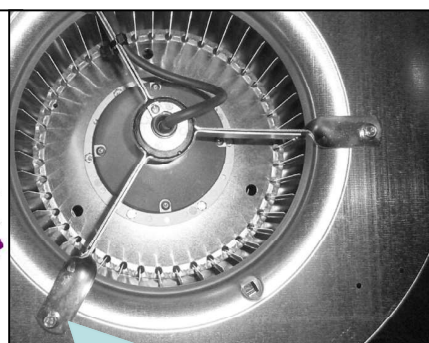
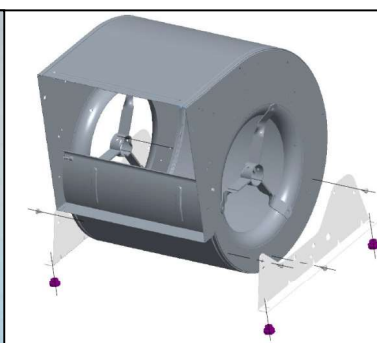


| | |
|----------------------------|---|
| Accessory | Mounting feet kit |
| To be used for: | AT-S, AT-G2L, DD, DDM, DDMP. |
| Material: | Galvanised steel to EN 10346 standard. |
| Special executions: | Upon request, they can be supplied with coating according to Nicotra-Gebhardt SPACQ032 specification. The colour is Grey RAL 7030 shiny smooth with min.thickness 60µm (P1) or 120µm (P2). |
| Installation | Fix to the sides using self threading screws 6,3x12,5 (UNI EN ISO 7049:2012), insert the vibration insulators into the holes of the mounting feet. The mounting kit contains screws and vibration insulators. The feet can be fixed so as to allow the fan to be installed with the scroll orientated to 0°, 90°, 180° e 270°. The below mentioned codes are suitable for fans with spiders, bearing supports or motor brackets fixed on the curve part of the inlet cone: for spiders fixed on the flat part of the side plate, see pic, please contact the technical dept of Nicotra– Gebhardt. |

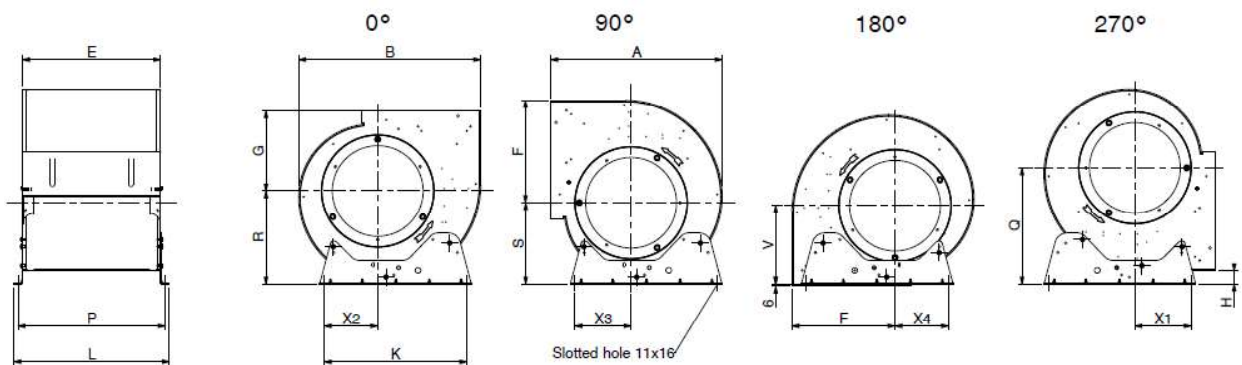


N°4 Vibration insulators

N°6 Screws 6,3x12,5



Spiders fixed on the flat part of the side plate require special mounting feet.



| Size | Code | A | B | E | F | G | H | K | L | P | Q | R | S | V | X1 | X2 | X3 | X4 |
|---------|------------------|-----|-----|-----|-----|-----|----|-----|-----|-----|-----|-----|-----|-----|-----|------|-----|-----|
| 7/7 | RA80003ZZ0000000 | 316 | 325 | 232 | 187 | 153 | 17 | 225 | 282 | 258 | 203 | 169 | 145 | 147 | 117 | 86 | 88 | 47 |
| 7/9 | RA80003ZZ0000000 | 316 | 325 | 298 | 187 | 153 | 17 | 225 | 348 | 324 | 203 | 169 | 145 | 147 | 117 | 86 | 88 | 47 |
| 8/7 Tig | RA80003ZZ0000000 | 318 | 326 | 232 | 185 | 155 | 15 | 225 | 282 | 258 | 201 | 169 | 147 | - | 120 | 85,5 | 95 | - |
| 8/9 Tig | RA80003ZZ0000000 | 318 | 326 | 298 | 185 | 155 | 15 | 225 | 348 | 324 | 201 | 169 | 147 | - | 120 | 85,5 | 95 | - |
| 9/7 | RA80005ZZ0000000 | 379 | 387 | 232 | 216 | 185 | 38 | 300 | 282 | 258 | 253 | 199 | 177 | 179 | 119 | 124 | 123 | 120 |
| 9/9 | RA80005ZZ0000000 | 379 | 387 | 298 | 216 | 185 | 38 | 300 | 348 | 324 | 253 | 199 | 177 | 179 | 119 | 124 | 123 | 120 |
| 10/8 | RA80006ZZ0000000 | 425 | 443 | 265 | 250 | 203 | 38 | 340 | 315 | 291 | 287 | 227 | 198 | 197 | 136 | 132 | 135 | 132 |
| 10/10 | RA80006ZZ0000000 | 425 | 443 | 331 | 250 | 203 | 38 | 340 | 381 | 357 | 287 | 227 | 198 | 197 | 136 | 132 | 135 | 132 |
| 12/9 | RA80008ZZ0000000 | 491 | 521 | 309 | 295 | 230 | 38 | 408 | 359 | 335 | 332 | 266 | 232 | 224 | 161 | 153 | 161 | 153 |
| 12/12 | RA80008ZZ0000000 | 491 | 521 | 395 | 295 | 230 | 38 | 408 | 445 | 421 | 332 | 266 | 232 | 224 | 161 | 153 | 161 | 153 |
| 15/11 | RA8000BZZ0000000 | 569 | 609 | 373 | 343 | 264 | 38 | 495 | 423 | 399 | 380 | 309 | 272 | 258 | 197 | 211 | 201 | 200 |
| 15/15 | RA8000BZZ0000000 | 569 | 609 | 471 | 343 | 264 | 38 | 495 | 521 | 497 | 380 | 309 | 272 | 258 | 197 | 211 | 201 | 200 |
| 18/13 | RA8000CZZ0000000 | 684 | 739 | 430 | 416 | 314 | 42 | 608 | 480 | 456 | 457 | 376 | 340 | 307 | 262 | 283 | 278 | 288 |
| 18/18 | RA8000CZZ0000000 | 684 | 739 | 557 | 416 | 314 | 42 | 608 | 607 | 583 | 457 | 376 | 340 | 307 | 262 | 283 | 278 | 288 |