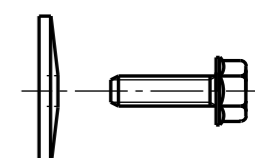
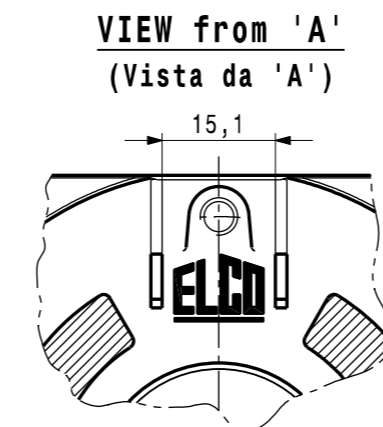
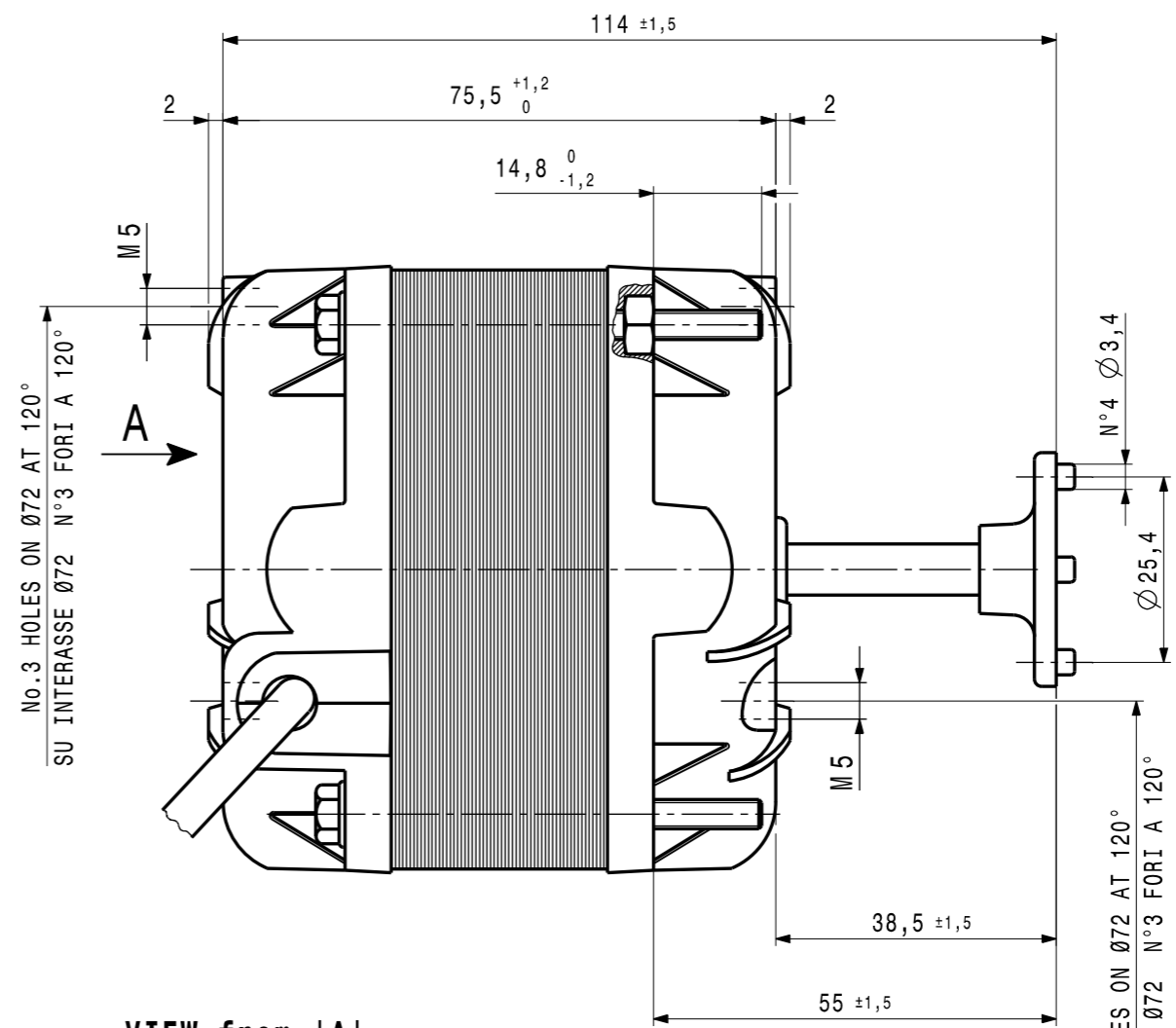
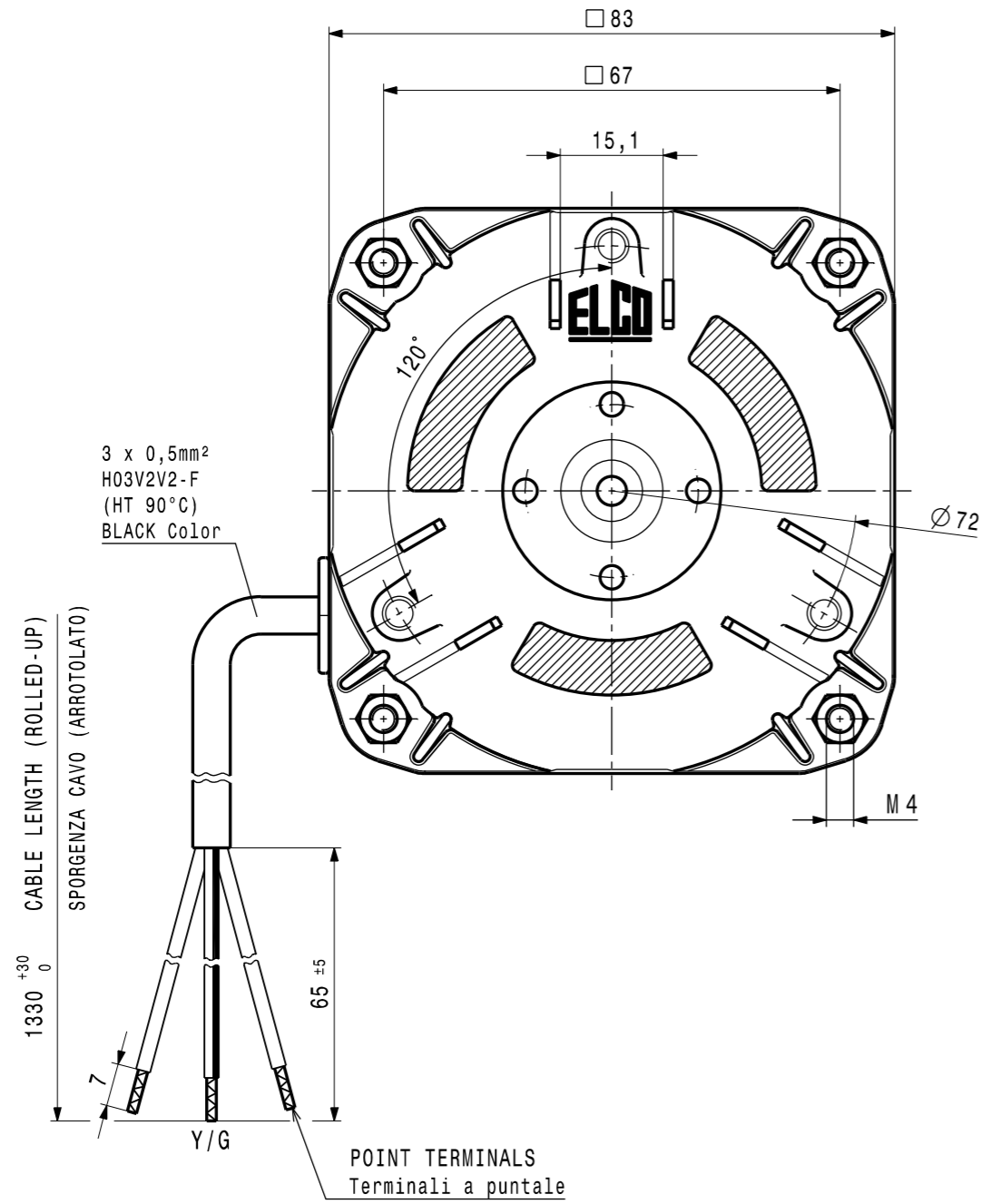


DRAWING MADE BY
CAD
HAND MADE MODIFICATIONS ARE FORBIDDEN

CCW ROTATION
ROTAZIONE ANTIORARIA



PARTS SUPPLIED LOOSE
PARTICOLARI
FORNITI A PARTE

- ASSEMBLY NOTE :RULE EL.UN.0002
- MECHANICAL CHECK :RULE EL.CM. 001
- LABEL LOCATION :RULE EL.UN.0053
- ELECTRICAL CHECK: M.596

- ALUMINIUM END-SHIELDS (Coperchi in alluminio)
- OPEN FRONT COVER (Coperchio anteriore sfinestrato)
- OPEN BACK COVER (Coperchio posteriore sfinestrato)

N 25-30 /719 DATE
230V~ 50/60Hz 0,75A
25/110W 1300/1550Rpm
PROT.TERM. CL.B



ReI	Date	Description	Executor signature	Checked
A	07-12-16	Updated drawing: labels and notes (Aggiornato disegno: targhette e note).	M.Cazzaniga	E.Crippa

For dim. without tolerance see standard UNI EN 22768-mK	Treatment -	Material -	A3	
ELCO	Drawn M.Apruzzese	MOTOR N 25-30 /719		Weight -
	Date 25-02-02	230V~ 50/60Hz		Release A
	Check -			Ref.No Ex.4-064-205
	Scale 1:1			NET8T25PNN204

MODIFICATIONS