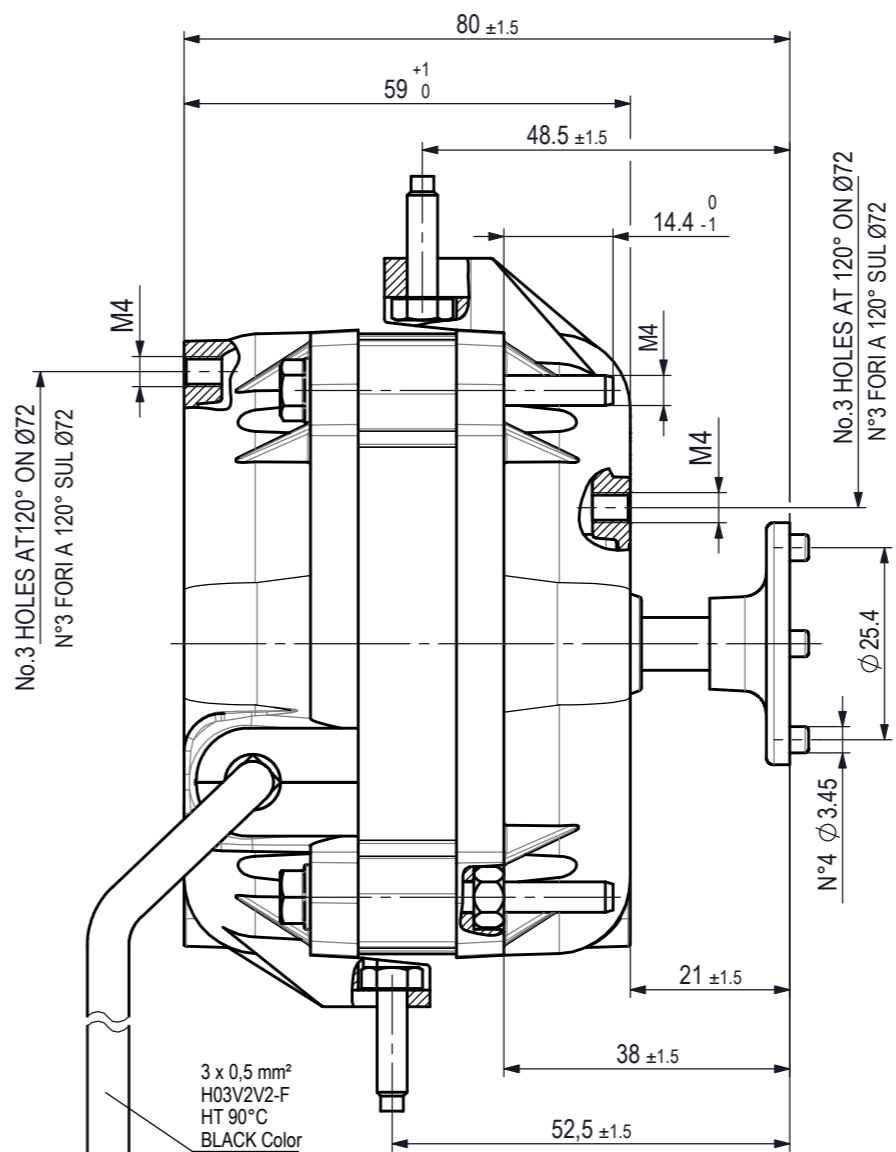
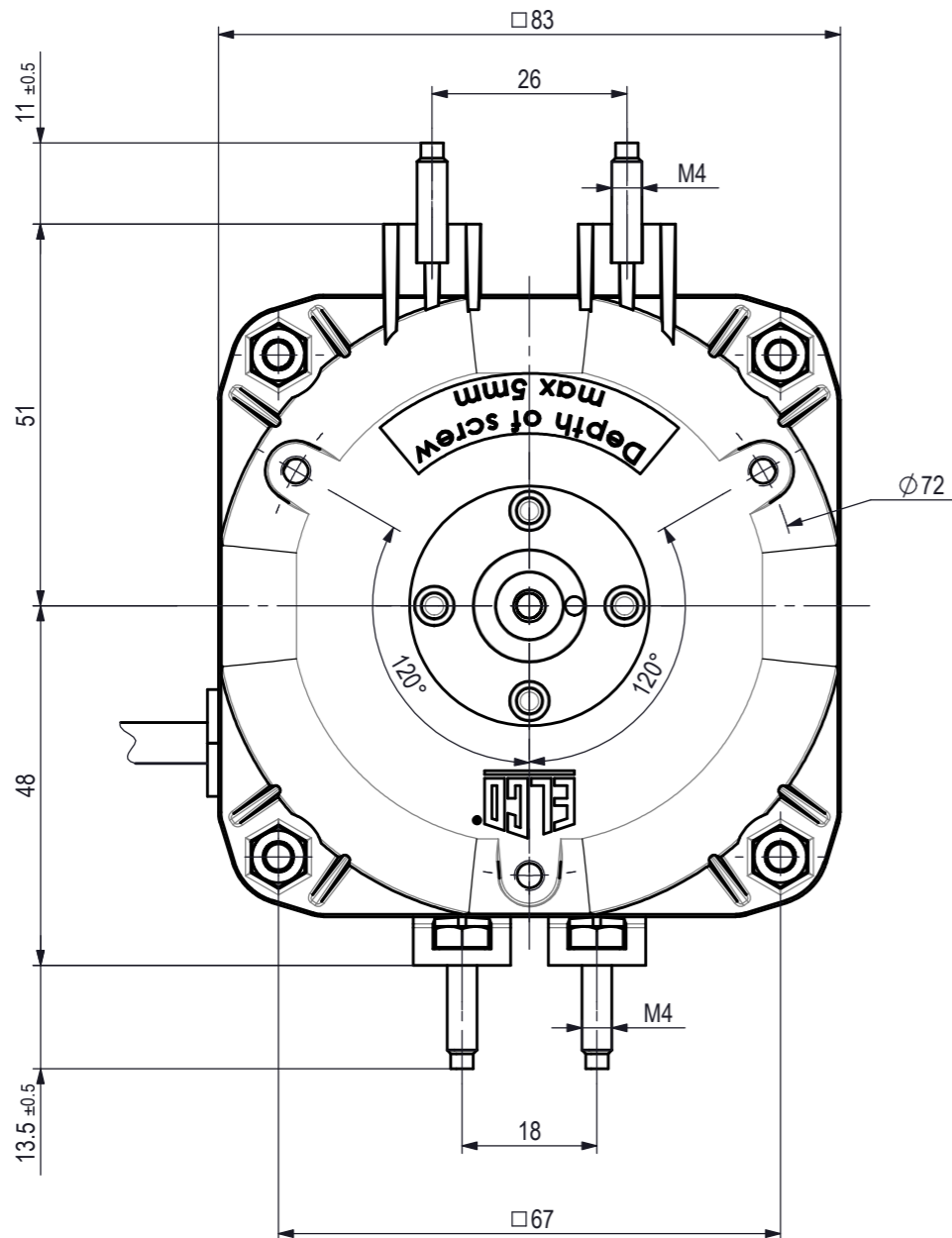
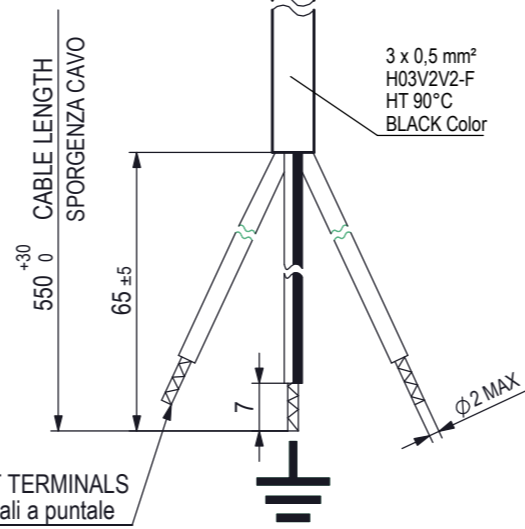
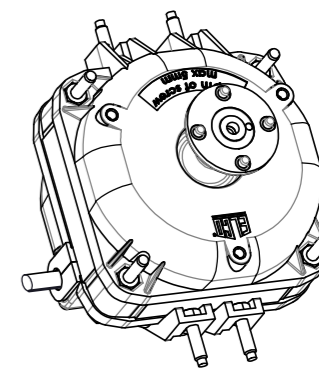
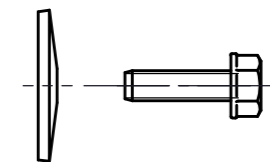


CCW ROTATION  
ROTAZIONE ANTIORARIA



PARTS SUPPLIED LOOSE  
(Particolari forniti a parte)



- ALUMINIUM END-SHIELDS (Coperchi in alluminio)

- ASSEMBLY NOTE : RULE EL.UN.0002
- MECHANICAL CHECK : RULE EL.CM. 001
- LABEL LOCATION : RULE EL.UN.0053
- ELECTRICAL CHECK : M.2412/1

for the VDE File Number to be printed  
see the rule ELUN0096  
(per il N° di File VDE da stampare  
vedi Normativa ELUN0096)

VNI 5-13 /3181 DATE 230V ~ 50/60Hz 0,20A 30Winput (5Woutput) CL.B IMP. PROT. 1300/1550Rpm

EAC VDE UKCA CE

NET5T05ZVN001N

ELCO

Made in Italy

Ref.	Date	Description	ref. M250038	D.Della Valle	S. Caeraghi	Checked
MODIFICATIONS						
A	13/10/25	Added information Winput (Woutput) into the data label				

For dimension without tolerance see standard UNI EN 22768-mK	Treatment	A3
Material		
Drawn R.Sotgiu	MOTOR VNI 5-13 /3181	
Date 22-11-2021	230V ~ 50/60Hz	
Check E.Crippa	'VDE' Rules	
Scale ---	Weight gr.	Release A
	Ref. No NET5T05ZVN001N	
	NET5T05ZVN001N	