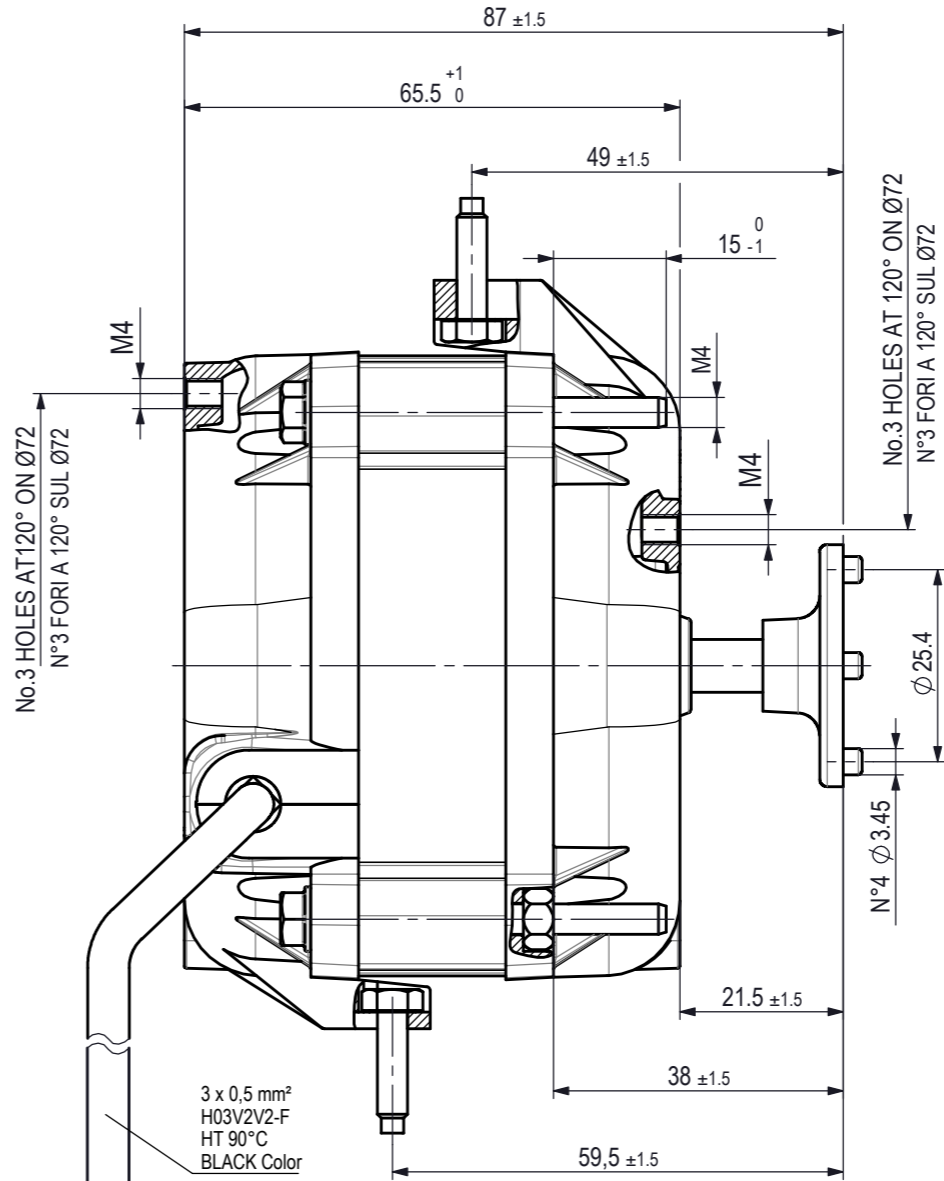
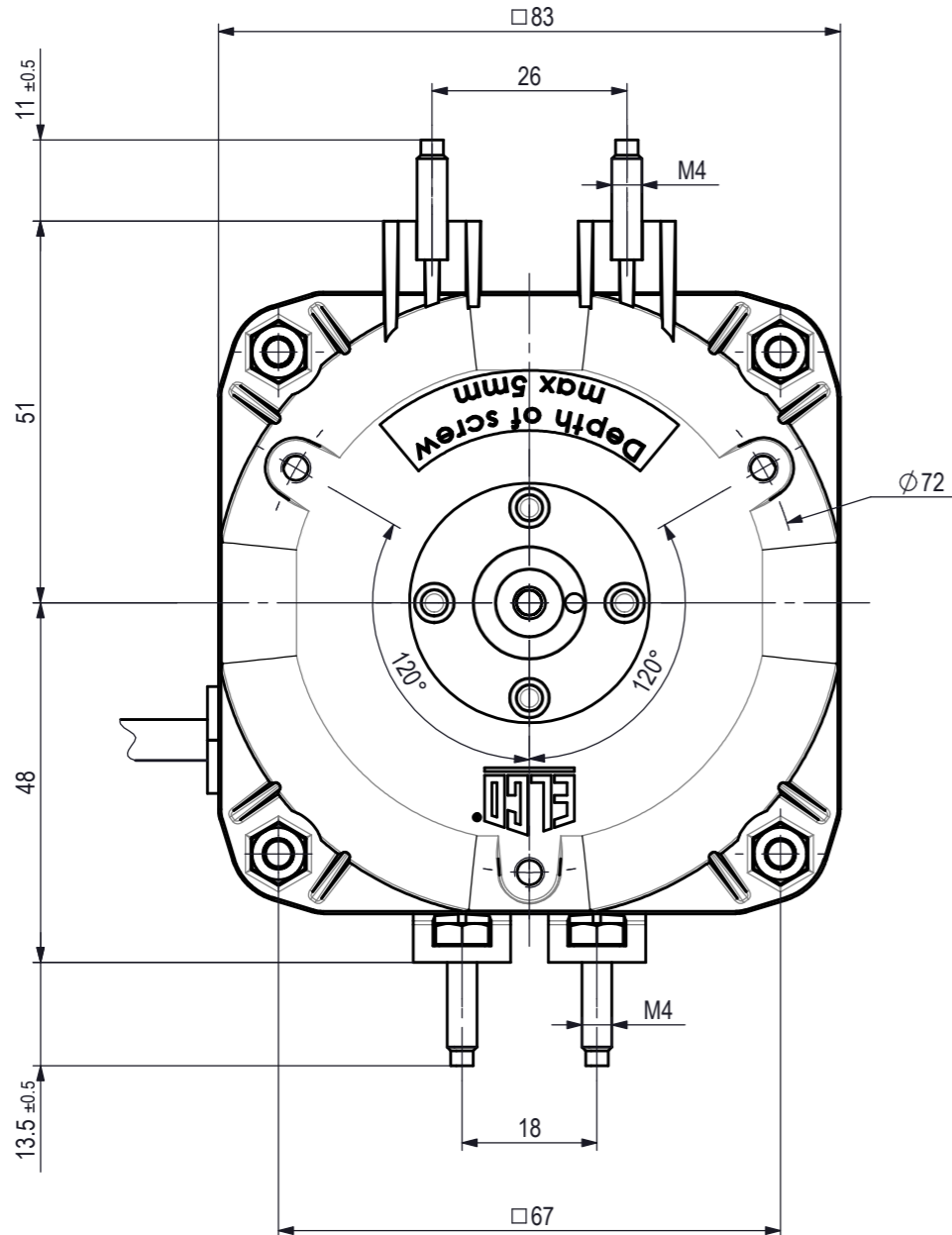
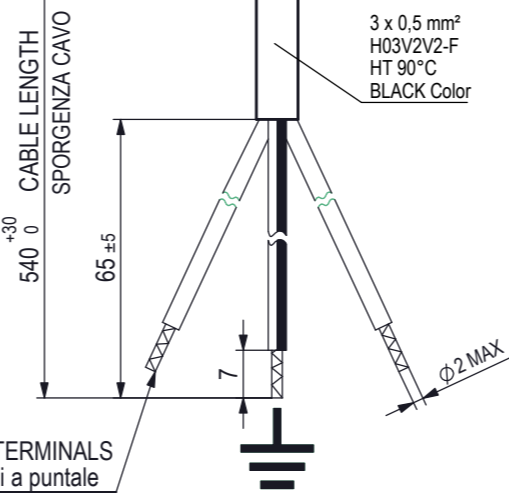
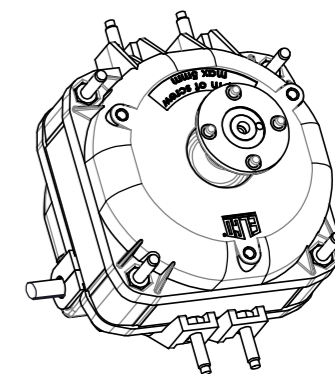
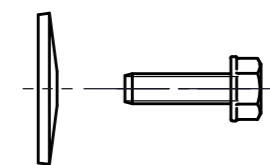


CCW ROTATION
ROTAZIONE ANTIORARIA



PARTS SUPPLIED LOOSE
(Particolari forniti a parte)



- ALUMINIUM END-SHIELDS (Coperchi in alluminio)

- ASSEMBLY NOTE : RULE EL.UN.0002
- MECHANICAL CHECK : RULE EL.CM. 001
- LABEL LOCATION : RULE EL.UN.0053
- ELECTRICAL CHECK : M.2409/1

for the VDE File Number to be printed
see the rule ELUN0096
(per il N° di File VDE da stampare
vedi Normativa ELUN0096)

VNI 10-20 /3182 DATE
230V ~ 50/60Hz 0,23A
33Winput (10Woutput) CL.B
IMP. PROT. 1300/1550Rpm
NET5T10ZVN001N



Rel.	Date	Description	ref.	Executor signature	Checked
A	14-10-25	Added indication Winput (Woutput) into the data label	M250038	D.Della Valle	S.Casiraghi
MODIFICATIONS					

For dimension without tolerance see standard UNI EN 22768-mK		Treatment	A3
Material		Release A	
 Drawn R.Sotgiu Date 22-11-2021 Check E.Crippa Scale ---		MOTOR VNI 10-20 /3182 230V ~ 50/60Hz 'VDE' Rules	
Weight gr. Ref. No. NET5T10ZNN001N NET5T10ZVN001		NET5T10ZVN001N	