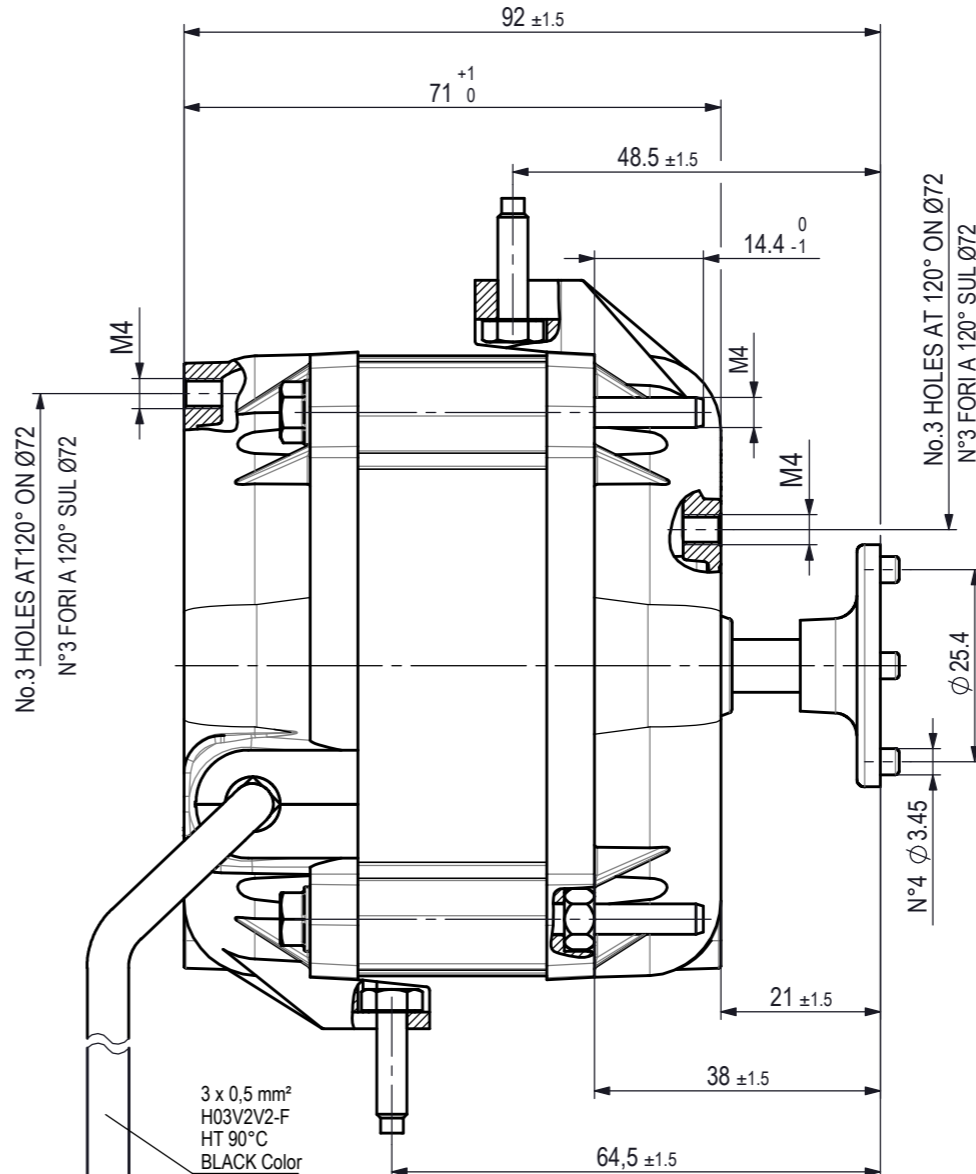
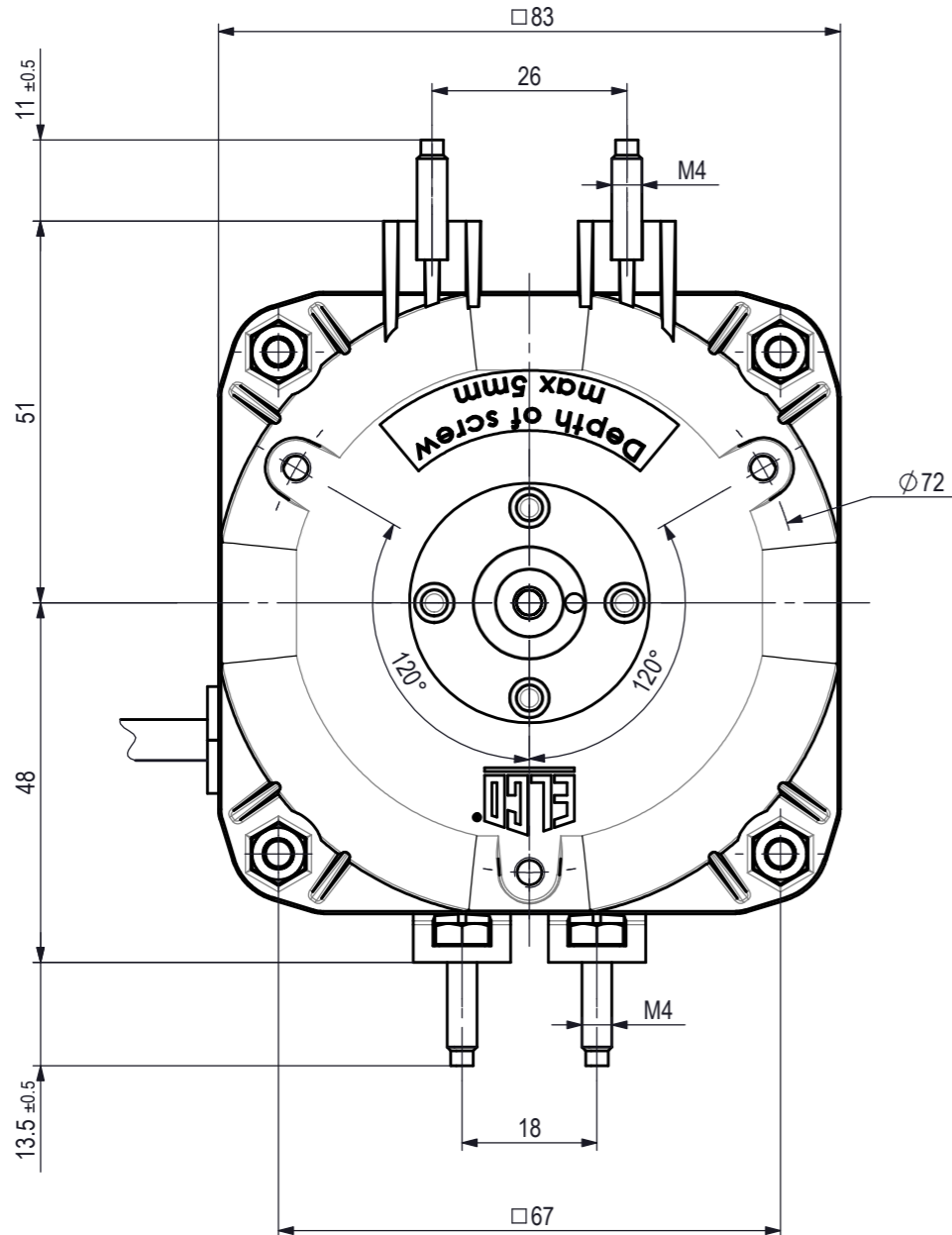
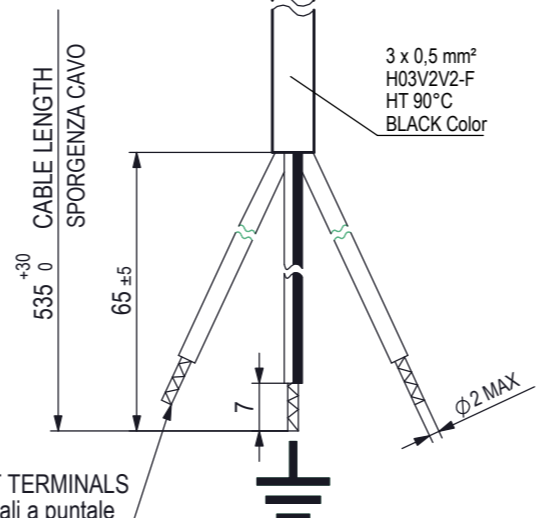
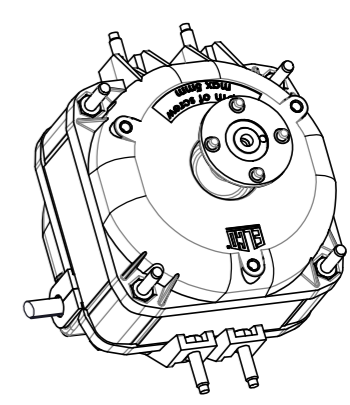


CCW ROTATION
 ROTAZIONE ANTIORARIA



PARTS SUPPLIED LOOSE
 (Particolari forniti a parte)



3 x 0,5 mm²
 H03V2V2-F
 HT 90°C
 BLACK Color

- ALUMINIUM END-SHIELDS (Coperchi in alluminio)

- ASSEMBLY NOTE : RULE EL.UN.0002
- MECHANICAL CHECK : RULE EL.CM. 001
- LABEL LOCATION : RULE EL.UN.0053
- ELECTRICAL CHECK : M.2379/1

for the VDE File Number to be printed
 see the rule ELUN096
 (per il N° di File VDE da stampare
 vedi Normativa ELUN096)

VNTI 16-25 /3183 DATE
 230V ~ 50/60Hz 0,42A
 60Winput (16Woutput) CL.B
 TH. PROT. 1300/1550rpm
 EAC VDE UK CE
 NET5T16PVN001N

ELCO
 Made in Italy

Rel.	Date	Description	ref.	Executor signature	Checked
A	14-10-25	Added indication Winput (Woutput) into the data label	M250038	D.Della Valle	S. Caeraghi
MODIFICATIONS					

For dimension without tolerance see standard UNI EN 22768-mK	Treatment	A3
Material		
Regal Rexnord Regal Beloit Italy S.p.A. ELCO	Drawn R.Sotgiu Date 22-11-2021 Check E.Crippa Scale ---	MOTOR VNTI 16-25 /3183 230V ~ 50/60Hz 'VDE' Rules
	Weight gr.	Release A
	Ref. No. NET5T16PNN001N NET5T16PVN001	
NET5T16PVN001N		