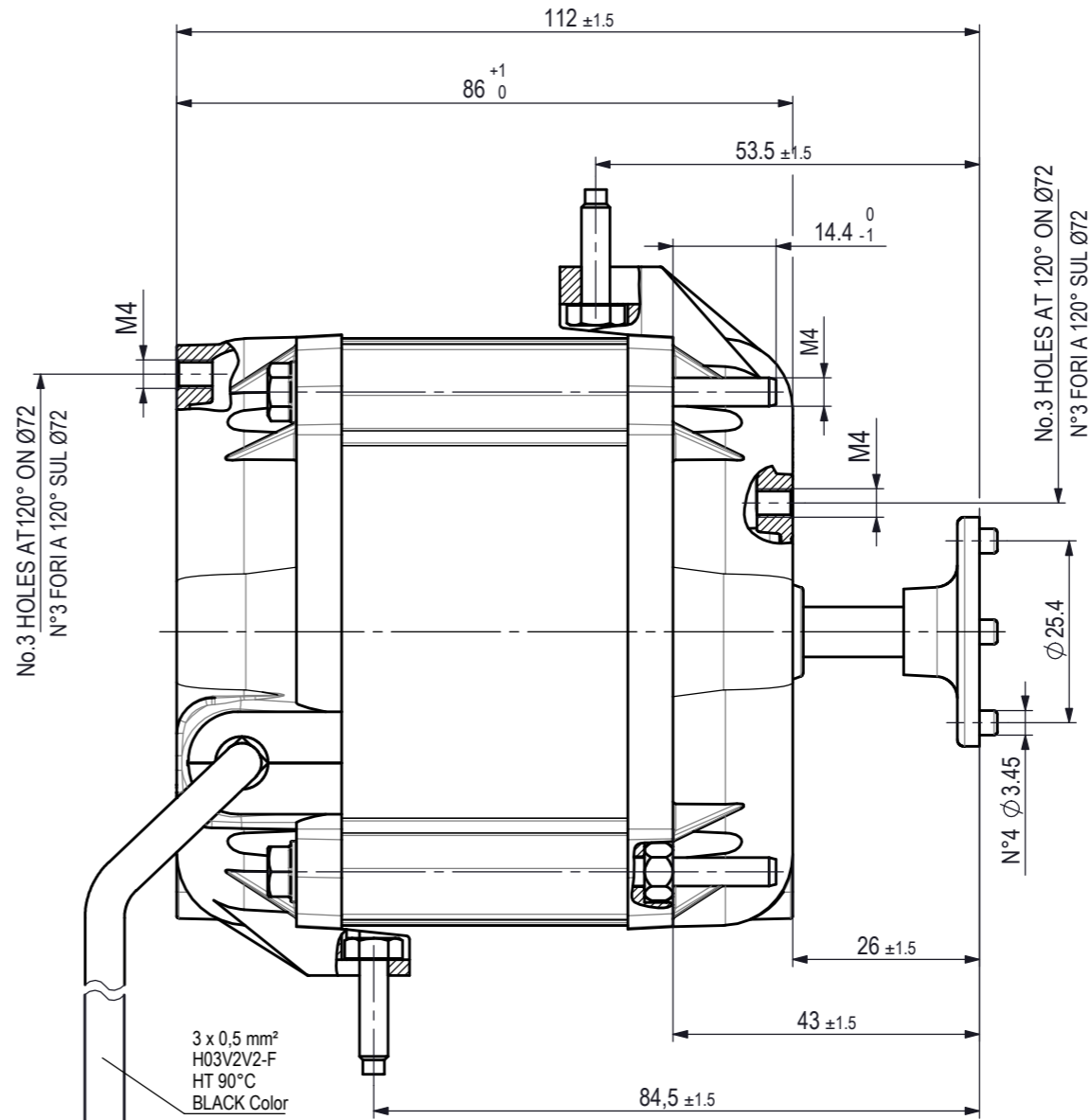
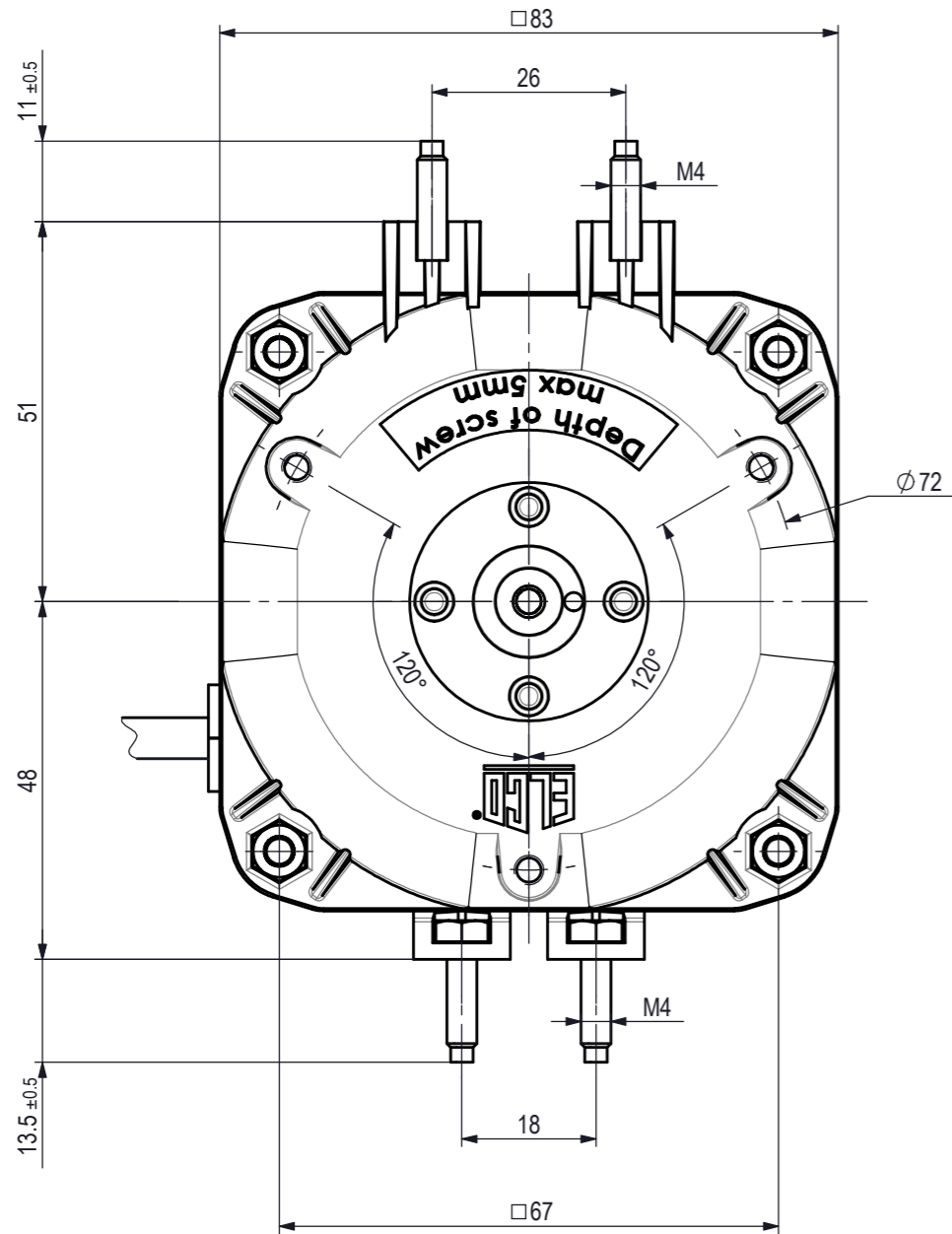
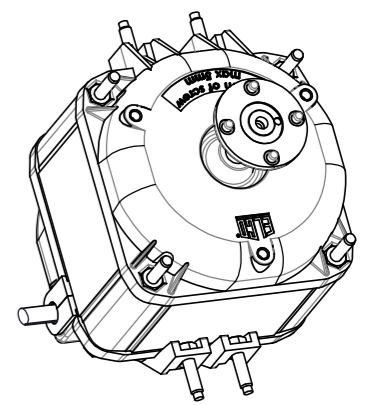
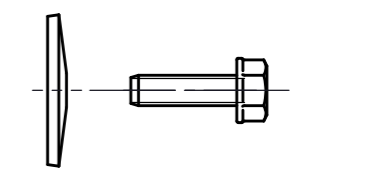


CCW ROTATION
ROTAZIONE ANTIORARIA



PARTS SUPPLIED LOOSE
(Particolari forniti a parte)



No.3 HOLES AT 120° ON Ø72
N°3 FORI A 120° SUL Ø72

No.3 HOLES AT 120° ON Ø72
N°3 FORI A 120° SUL Ø72

+30
520 0
CABLE LENGTH
SPORGENZA CAVO

POINT TERMINALS
Terminali a puntale

3 x 0,5 mm²
H03V2V2-F
HT 90°C
BLACK Color

- ALUMINIUM END-SHIELDS (Coperchi in alluminio)

- ASSEMBLY NOTE : RULE EL.UN.0002
- MECHANICAL CHECK : RULE EL.CM. 001
- LABEL LOCATION : RULE EL.UN.0053
- ELECTRICAL CHECK : M.2381/1

for the VDE File Number to be printed
see the rule ELUN0096
(per il N° di File VDE da stampare
vedi Normativa ELUN0096)

VNTI 25-40 /3185 DATE
230V ~ 50/60Hz 0,69A
100Winput (25 Woutput) CL.B
TH. PROT. 1300/1550Rpm
EAC UK CA CE
NET5T25PVN001N

ELCO
Made in Italy

Rel.	Date	Description	ref.	Executed signature	Checked
A	14-10-25	Added information Winput (Woutput) into the data label	M250038	D.Della Valle	S.Casiraghi
MODIFICATIONS					

For dimension without tolerance see standard UNI EN 22768-mK

Treatment
Material

Weight gr.
Ref. No. NET5T25PNN001N
NET5T25PVN001

Release A

Regal Rexnord
Regal Beloit Italy S.p.A.

Drawn R.Sotgiu
Date 22-11-2021
Check E.Crippa
Scale ---

MOTOR VNTI 25-40 /3185
230V ~ 50/60Hz
'VDE' Rules

NET5T25PVN001N