

SPECIFICATIONS FOR APPROVAL

Axial Fan

Model: 8038B2HT (MTF601RF)

AC220V 50/60Hz 0.09/0.07A

Terminal

Shenzhen YYC Motor Ltd

ADD: 4th Floor, D Building, Wanda Industrial Zone,
Zhoushi Road, Shiyan Town, Baoan District, Shenzhen,

Guangdong Province, China PC: 518108

TEL: 86-755-27656330 27656878

FAX: 86-755-27648519

[http: // www.szbestfan.com](http://www.szbestfan.com)

DATA SHEET
Engineering Dept
AC TUBE AXIAL FAN

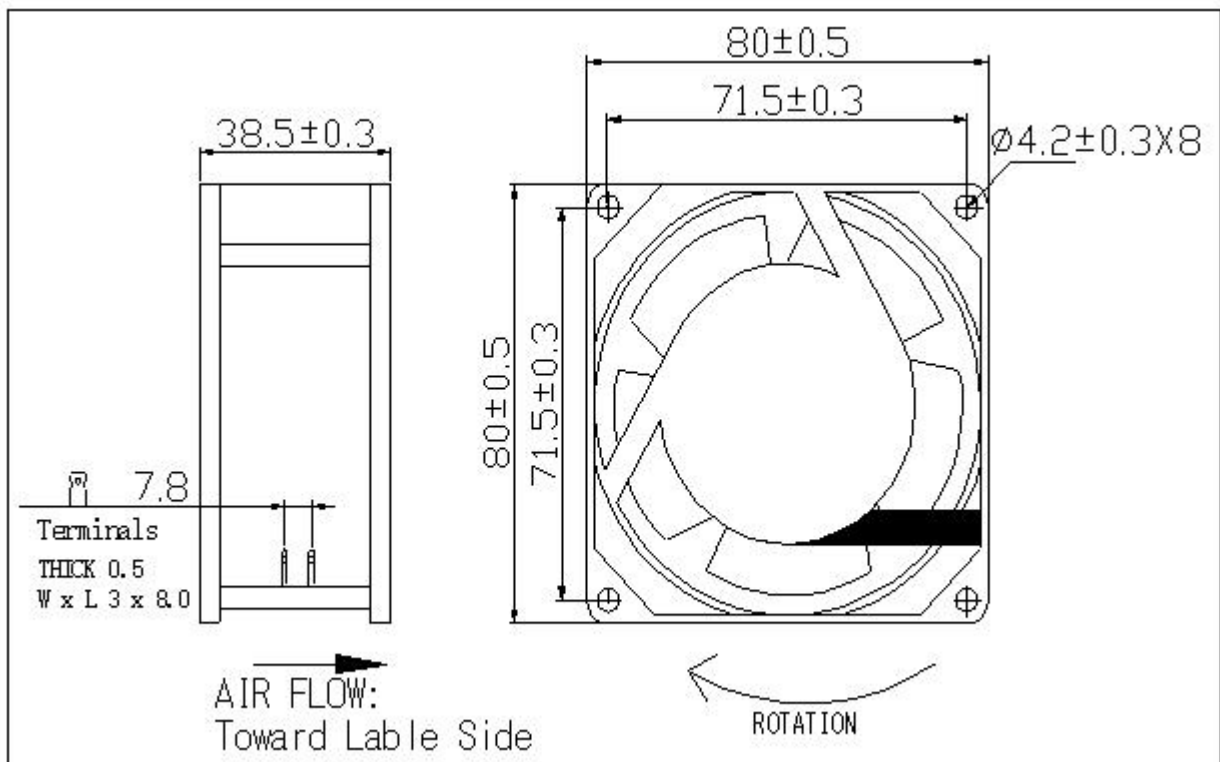
NO.: YYC2017011201

Customer	:	Ref:	
Model No.	:	8038B2HT	
Samples attached	:		
SPECIFICATION *****			
<u>Item</u>		<u>Specification/Condition</u>	
Dimension	:	80x80x38 mm	
Bearing System	:	Ball BEARING	
Rated Voltage	:	220 VAC	
Operating Voltage	:	200 VAC—240 VAC	
Start-up Voltage	:	160 VAC NORMALLY	
Rated Current	:	0.09/0.07Amp NORMALLY	
Rated Power	:	13/10 Watt NORMALLY	
Rated Speed	:	2400/2900 RPM±10%	
Air Flow	:	0.68 /0.80m ³ /min (24/28.4 CFM)	
Static Air Pressure	:	3.5/4.9mmH ₂ O	
Noise Level	:	33/38dBA	
Motor Protection Type	:	BY IMPEDANCE	
Life Expectance	:	50000 Hours at Room Temperature	
Operation Temperature	:	-20℃ to +70℃	
Net Weight	:	320 Grams	
Packing	:	50 Pcs Per Export Carton	
		Model No.: 8038B2HT	
Shenzhen YYC Motor Ltd	Approved By:	Checked By:	Prepared By:

MATERIAL

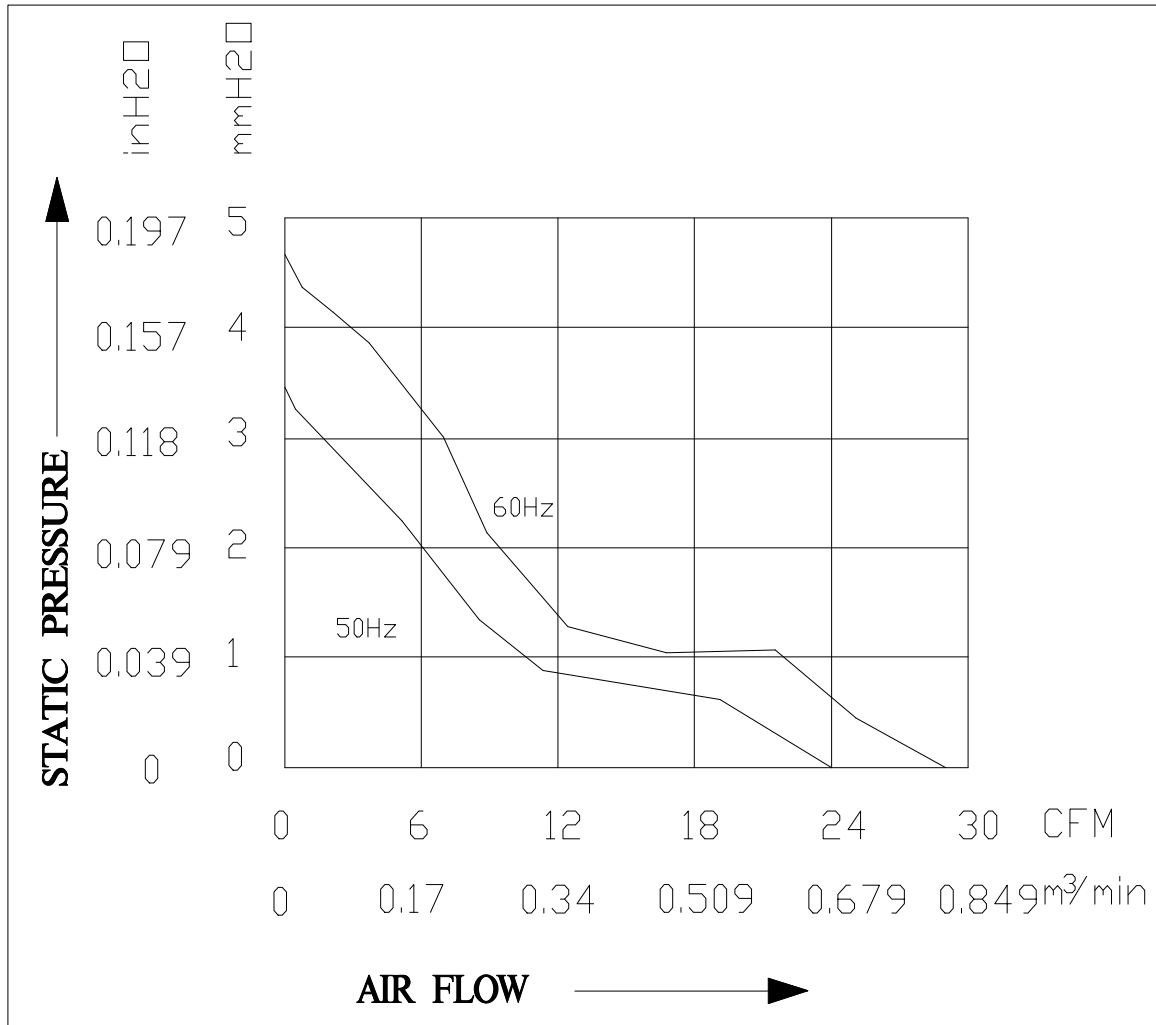
- 1.Impeller : Thermoplastic PBT
- 2.Bobbin : Thermoplastic PA66
- 3.Lead Wire : UL 3266 AWG#22
- 4.Housing : Die-cast aluminum

DIMENSIONS: mm



Shenzhen YYC Motor Ltd

Performance Curve



Shenzhen YYC Motor Ltd