

SPECIFICATIONS FOR APPROVAL

Axial Fan

Model: 9225B2HT(MTF602RF)

AC220V 50/60Hz 0.07/0.06A

Terminal

Shenzhen YYC Motor Ltd

ADD: 4th Floor, D Building, Wanda Industrial Zone,
Zhoushi Road, Shiyan Town, Baoan District, Shenzhen,
Guangdong Province, China PC: 518108

TEL: 86-755-27656330

FAX: 86-755-27648519

[http: // www.szbestfan.com](http://www.szbestfan.com)

DATA SHEET
Engineering Dept
AC TUBE AXIAL FAN

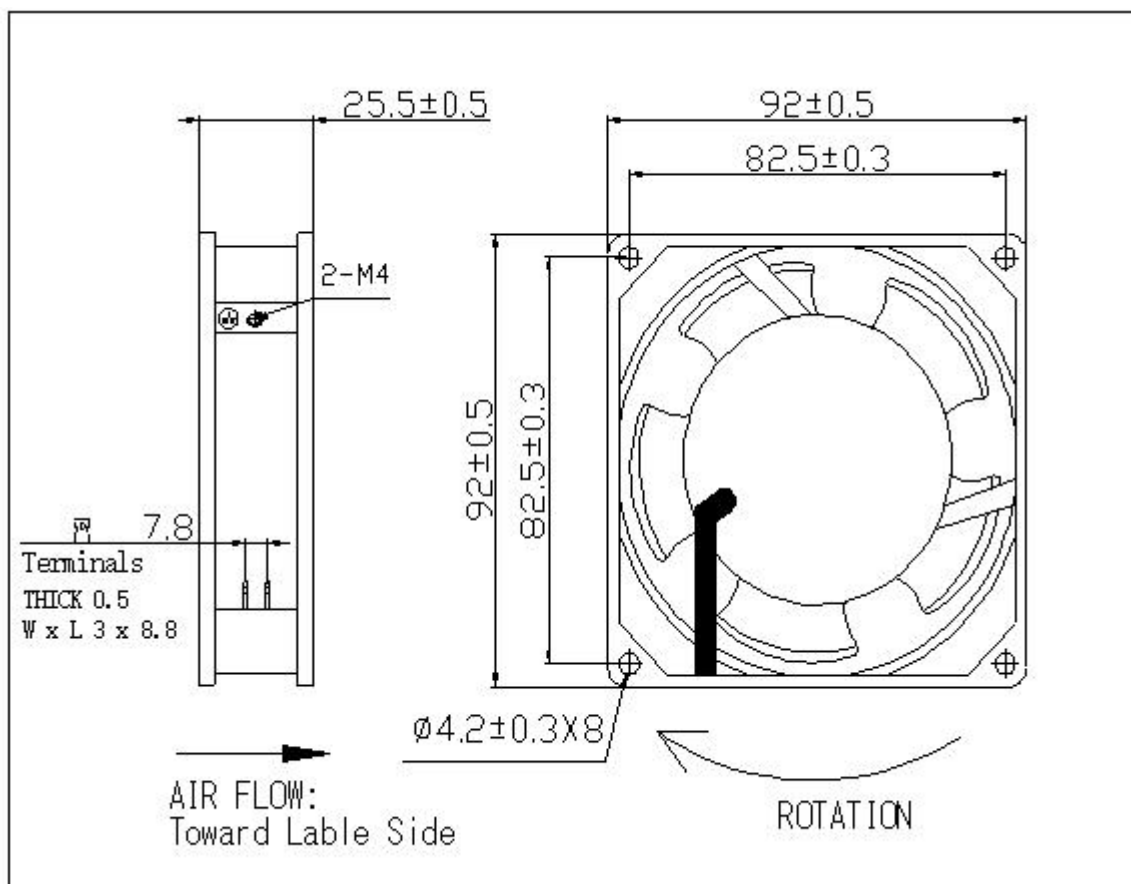
NO.: YYC2017011202

Customer	:	Ref:	
Model No.	:	9225B2HT	
Samples attached	:		
SPECIFITION *****			
<u>Item</u>		<u>Specification/Condition</u>	
Dimension	:	92x92x25 mm	
Bearing System	:	BALL BEARING	
Rated Voltage	:	220 VAC 50/60 Hz	
Operating Voltage	:	200 VAC—240 VAC	
Start-up Voltage	:	160 VAC NORMALLY	
Rated Current	:	0.07/0.06 Amp NORMALLY	
Rated Power	:	12/9 Watt NORMALLY	
Rated Speed	:	2550/2900 RPM \pm 10%	
Air Flow	:	0.68/0.91 m ³ /min (24/32CFM)	
Static Air Pressure	:	3.5/4.2 mmH ₂ O	
Noise Level	:	31/36 dBA	
Motor Protection Type	:	BY IMPEDANCE	
Life Expectance	:	50000 Hours at Room Temperature	
Operation Temperature	:	-20°C to +50°C	
Net Weight	:	250 Grams	
Packing	:	50 Pcs Per Export Carton	
Shenzhen YYC Motor Ltd	Model No.: 9225B2HT		
	Approved By:	Checked By:	Prepared By:

MATERIAL

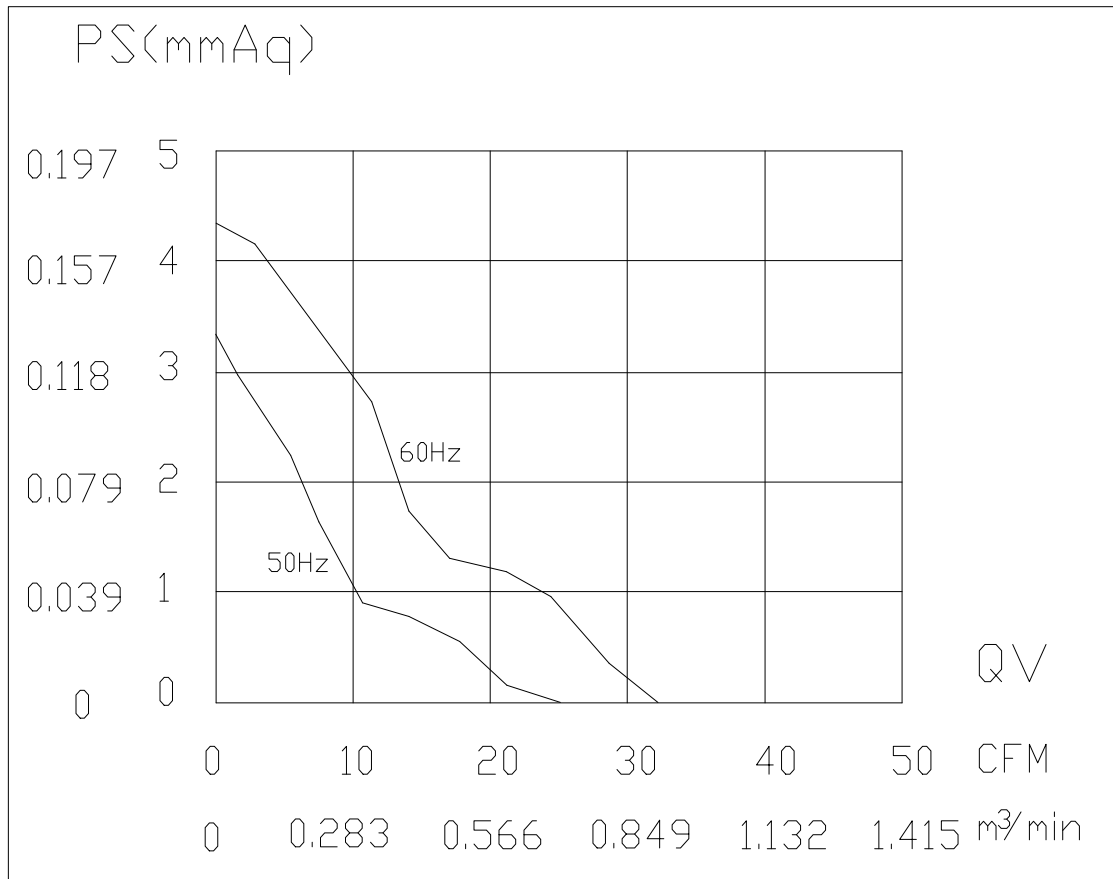
1. Impeller : Thermoplastic PBT of UL 94V-0
2. Bobbin : Thermoplastic PA66 of UL 94V-0
3. Lead Wire : UL 1430 AWG#22
4. Housing : Die-cast aluminum

DIMENSIONS: MM



Shenzhen YYC Motor Ltd

Performance Curve



Shenzhen YYC Motor Ltd