

# **SPECIFICATIONS FOR APPROVAL**

## **Axial Fan**

**Model: 12038B2HT(MTF605RF)**

**AC220V 50/60Hz 0.13/0.11A**

## **Terminal**

### **Shenzhen YYC Motor Ltd**

ADD: 4th Floor, D Building, Wanda Industrial Zone,  
Zhoushi Road, Shiyan Town, Baoan District, Shenzhen,

Guangdong Province, China      PC: 518108

TEL: 86-755-27656330 27656878

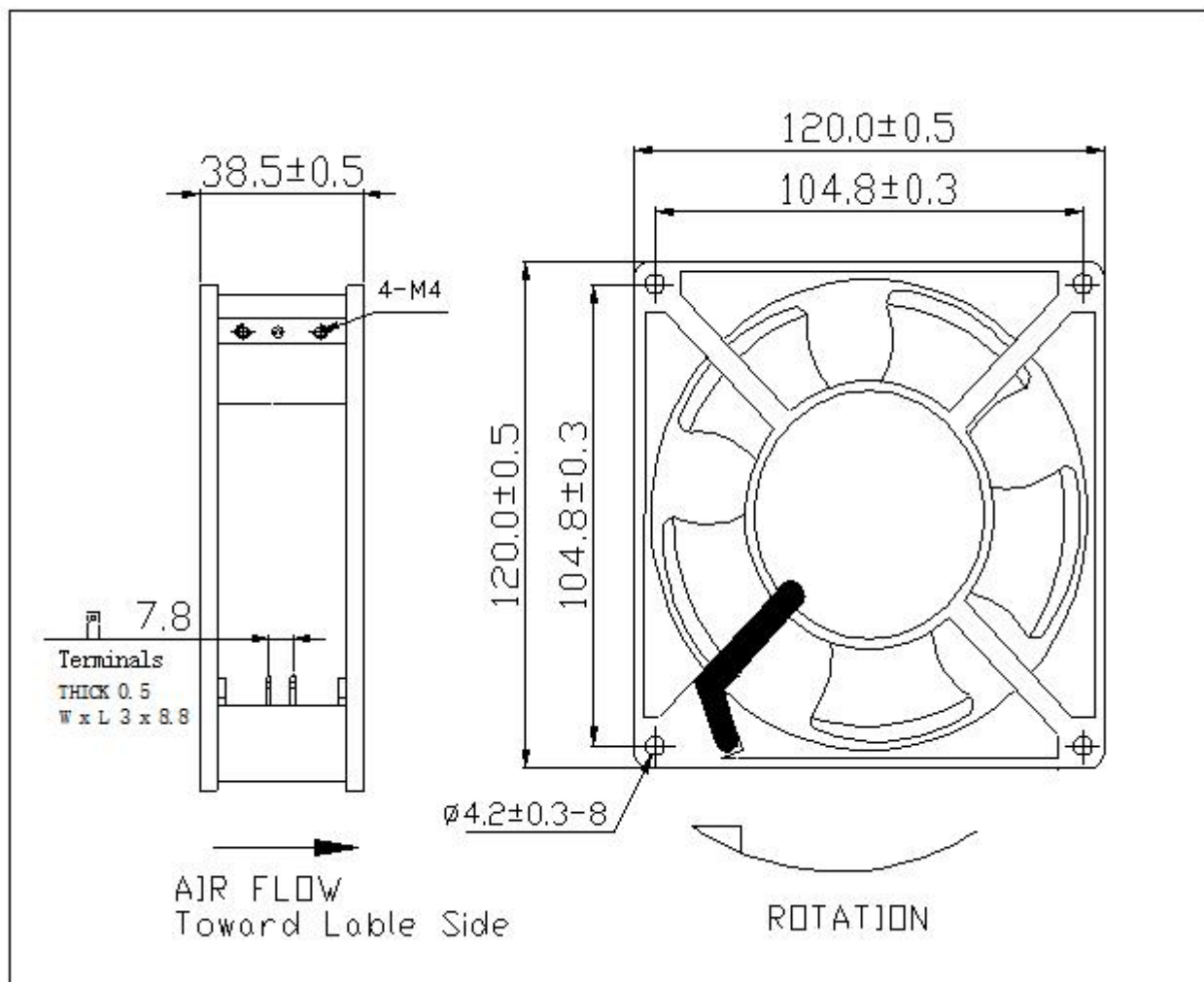
FAX: 86-755-27648519

Http: // [www.szbestfan.com](http://www.szbestfan.com)

Customer	:	Ref:	
Model No.	:	12038B2HT	
Samples attached	:		
SPECIFITION *****			
<u>Item</u>		<u>Specification/Condition</u>	
Dimension	:	120x120x38 mm	
Bearing System	:	BALL BEARING	
Rated Voltage	:	220 VAC 50/60Hz	
Operating Voltage	:	200 VAC—240 VAC	
Start-up Voltage	:	160 VAC NORMALLY	
Rated Current	:	0.13/0.11±10% Amp NORMALLY	
Rated Power	:	17/15±10% Watt NORMALLY	
Rated Speed	:	2650/3000±10% RPM	
Air Flow	:	2.38/2.72 m <sup>3</sup> /min ( 84/96CFM)	
Static Air Pressure	:	7.5/7.8mmH <sub>2</sub> O	
Noise Level	:	43/47dBA	
Motor Protection Type	:	BY IMPEDANCE	
Life Expectance	:	50000 Hours at Room Temperature	
Operation Temperature	:	-20°C to +70°C	
Net Weight	:	480 Grams	
Packing	:	40 Pcs Per Export Carton	
Shenzhen YYC Motor Ltd	Model No.: 12038B2HT		
	Approved By:	Checked By:	Prepared By:

**MATERIAL**

1. Impeller : Thermoplastic PBT
2. Bobbin : Thermoplastic PA66
3. Lead Wire : UL 1430 AWG#22
4. Housing: Die-cast aluminum

**DIMENSIONS: MM**

# Shenzhen YYC Motor Ltd

