

AXIAL FAN

Unit:axial fan motor		Type:						
Motor:single phase motor with capacitor		Customer:						
Motor type:MTA102RF		Customer type:						
Type	Voltage V	Frequency Hz	Input power W	Current A	Speed r/min ±5%	Air volume m³/h	Noise level dBA	Capacitor μF/VDB
MTA102RF	220	50	135	0.6	1380	2280	62	4 μF/450V

Insulation class : B	Operating type: S1
Permissible ambient temperature : -30~60°C Temperature increase: ΔT≤85k	
Motor protection:thermocontact 150±5°C	Bearings: ball bearings
License: CE	

Model meanings:

Asynchronism axial fan motor
YWF4E-350S
Direction of airflow
Motor pole
Fans diameter
Single Phase

Electrical connection:lead wire 0.50mm

Direction of rotation:clockwise(sucking),Airflow direction:"S" looking at rotor side

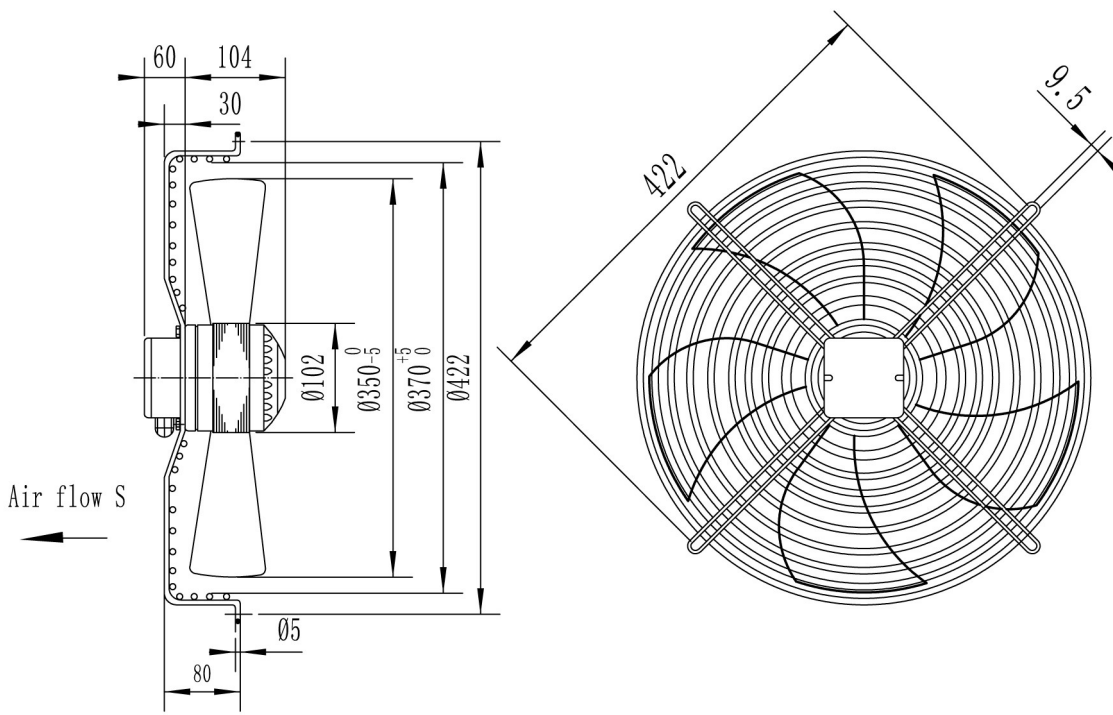
High-voltage test according to EN 60335-1 1800V

Material/Surface treatment:rotor with condensation drain holes varnished black, stator temperature protected

Balance grade:G6.3 Fan balanced dynamically in two planes

APPROX. WEIGHT	
MEANS	

DRN. BY		
CHD. BY		
ENG. BY		A4
APP. BY		SCALE
		SHEET: of



MTA102RF AXIAL FAN MOTOR
 220V 50Hz 0.6A 135W CE
 4 μF/450V 1380r/min CL.B

