

# AXIAL FAN

Unit:axial fan motor

Type:

Motor:single phase motor with capacitor

Customer:

Motor type:MTA104RF

Customer type:

Type	Voltage V	Frequency Hz	Input power W	Current A	Speed r/min ±5%	Air volume m³/h	Noise level dBA	Capacitor μF/VDB
MTA104RF	220	50	230	1.1	1350	4750	68	8 μF/450V

Insulation class : B

Operating type: S1

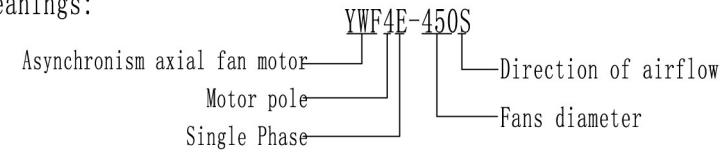
Permissible ambient temperature : -30~60°C Temperature increase:  $\Delta T \leq 85k$

Motor protection:thermocontact 150±5°C

Bearings: ball bearings

License: CE

Model meanings:



Electrical connection:lead wire 0.50mm

Direction of rotation:clockwise(sucking), Airflow direction:"S" looking at rotor side

High-voltage test according to EN 60335-1 1800V

Material/Surface treatment:rotor with condensation drain holes varnished black, stator temperature protected

Balance grade:G6.3 Fan balanced dynamically in two planes

APPROX. WEIGHT

MEANS

DRN. BY

CHD. BY

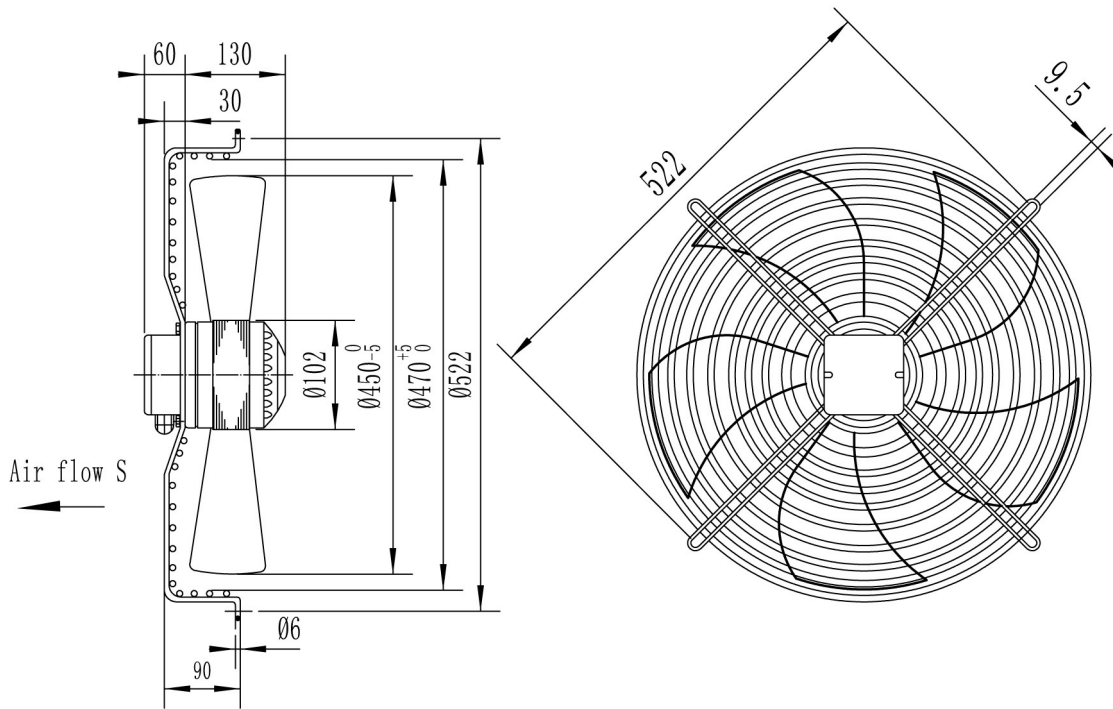
ENG. BY

APP. BY

A4

SCALE

SHEET: of



MTA104RF AXIAL FAN MOTOR

220V 50Hz 1.1A 230W

8 μF/450V 1350r/min CL.B



## SINGLE-PHASE WIRING DIAGRAM

