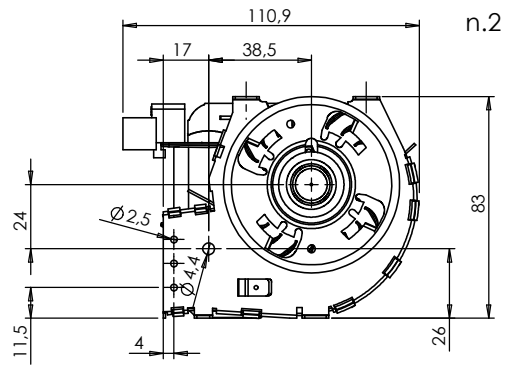
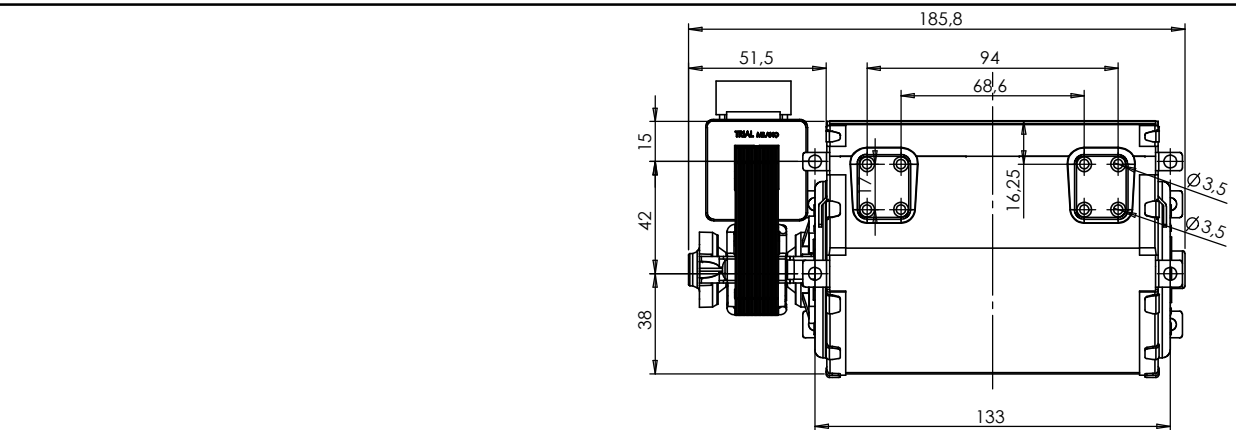
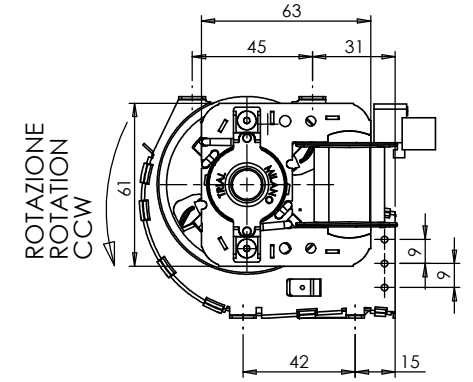
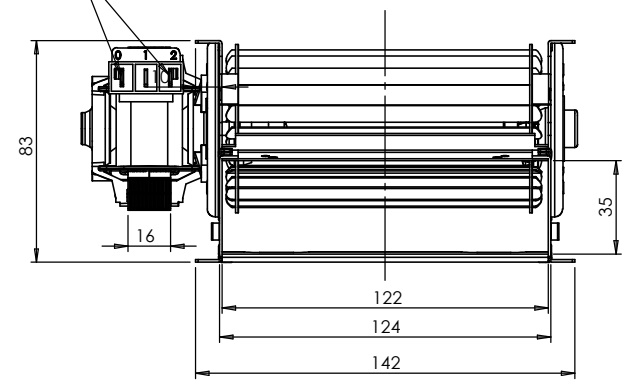


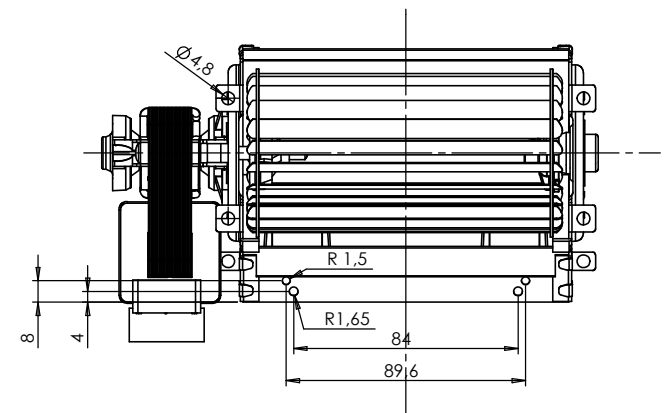
In terms of law, we reserve the ownership of the present drawing with the prohibition of re-produce or make it known to others without our permission.



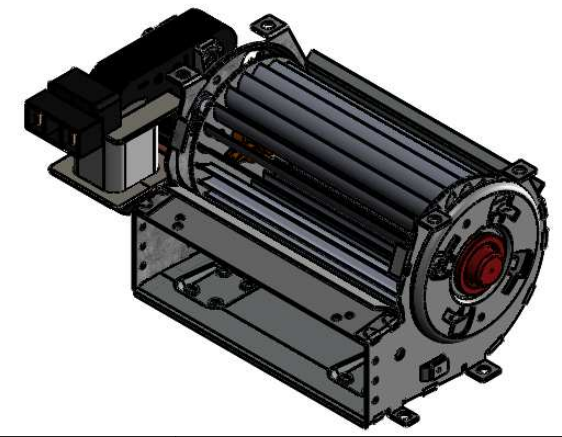
n.2 faston 6.3 x 0.8



ROTAZIONE  
ROTATION  
CCW



FOR APPROVAL  
  
SIGN \_\_\_\_\_



DATI CARATTERISTICI / TECHNICAL DATA AT 50 Hz "TAS12B-002"		
Tensione nominale/Rated Voltage	V	230
Frequenza/Rated Frequency	Hz	50/60
Potenza assorbita/Input Power	W	30
Classe isolamento/Insulation class (IEC 60085)	F	
Max temp./Max ambient temperature(IEC 60335-1)	°C	60
N° di giri a vuoto/Rated speed no load	Rpm	2050
Portata a bocca libera/Rated airflow	m³/h	100
Pressione statica/ Static pressure	Pa	65
Rotazione/Rotation (side View)		CCW

Material:	Peso netto [g]:	Trattamento:
<b>TRIAL Srl</b> S.Giuliano M.se Via dei Mille, 3 Tel (0039) 029822231 Uff. Commerciale Tel (0039) 029822351 Uff. Tecnico Fax (0039) 0298243291	For linear dimensions and angular without tolerance, refer to standard UNI ISO 2768 medium degree.	Dis. : C.P. Data : 08/10/14 Scala : 1:2 Visto : -
Description: TFA003-S7-	230V50/60HZ	Foglio 1 / 1
		Drawing Code Mod. <b>TAS12B-002</b> 00 <small>Sostituisce il dis.</small>