

**AP272****Cassetto battifiltro per fondi di caffè**

Small drawer with knock-out bar for coffee grounds

**AP2812****Cassetto cassa con serratura e separatore a scomparti estraibile**

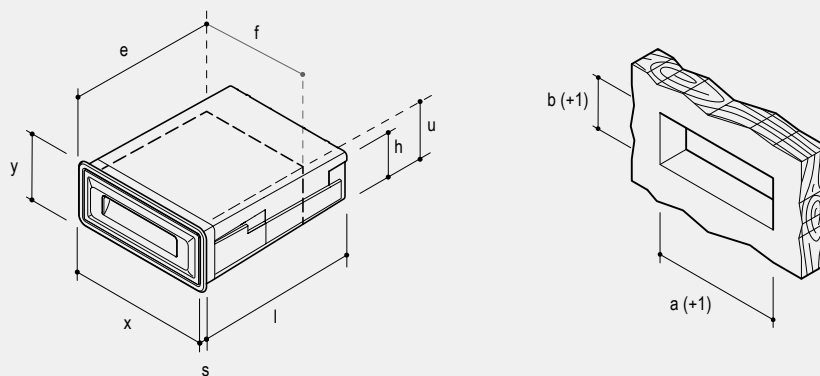
Small cash drawer with lock and removable money tray

**AP282****Cassetto per documenti con serratura e chiave numerata**

Small document drawer with lock and numbered key

**AP292****Cassetto base, multiuso**

Small basic, multipurpose drawer



| Articolo<br>Item | Foro banco<br>Counter hole |       | Dimensioni esterne ed interne<br>External and internal size |     |     |     |     |     |     |    | Box |
|------------------|----------------------------|-------|-------------------------------------------------------------|-----|-----|-----|-----|-----|-----|----|-----|
|                  | a(+1)                      | b(+1) | x                                                           | y   | e   | f   | h   | l   | u   | s  |     |
| AP272            | 354                        | 140   | 377                                                         | 164 | 401 | 311 | 111 | 431 | 121 | 10 | 3   |
| AP282            | 354                        | 140   | 377                                                         | 164 | 401 | 311 | 111 | 431 | 121 | 10 | 3   |
| AP2812           | 354                        | 140   | 377                                                         | 164 | 401 | 311 | 111 | 431 | 121 | 10 | 3   |
| AP292            | 354                        | 140   | 377                                                         | 164 | 401 | 311 | 111 | 431 | 121 | 10 | 3   |