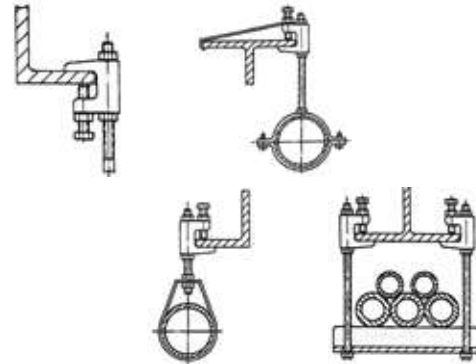
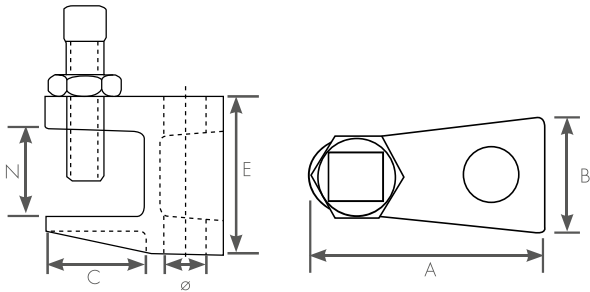


Art. no.	Description	Material	Thread	max. load	A	B	C	ø	E	N	PU	PG
858/1	MEZ-CRAMP M10	Malleable cast iron	•	2,5 kN	44 mm	21,0 mm	23 mm	M10	42 mm	20 mm	50 pc.	191102
859/1	MEZ-CRAMP M12	Malleable cast iron	•	3,5 kN	58 mm	23,5 mm	35 mm	M12	54 mm	26 mm	50 pc.	191102
859/11	MEZ-CRAMP M16	Malleable cast iron	•	5,5 kN	58,3 mm	29,5 mm	30 mm	M16	58 mm	28 mm	50 pc.	191102

Technical information

Application



Accessories



Description	Material	Length	Width	Thickness	PU
859/20 Safety flap	Galv. steel	350 mm	25 mm	3,0 mm	25 pc.
859/21 Safety flap	Galv. steel	400 mm	40 mm	3,0 mm	25 pc.

Perforated tape

PG:191801 - 191802



- Plastic coated (802 & 803)
- Without coating (804 & 805)
- With and without edge perforation

Art. no.	Description	Material	Coating	Edge perforation	Width	Perforation ø	m / Roll	PU	PG
802	Perforated tape - 19	Galv. steel	Plastic coated		19,0	6,3	10	1 pc.	191801
803	Perforated tape - 27	Galv. steel	Plastic coated		27,0	8,3	10	1 pc.	191801
804	Perforated tape - 17	Galv. steel	without coating	•	17,0	6,3	25	1 pc.	191802
804/1	Perforated tape - 17	Galv. steel	without coating	•	17,0	6,3	10	1 pc.	191802
805	Perforated tape - 25	Galv. steel	without coating		25,0	8,3	25	1 pc.	191802
805/1	Perforated tape - 25	Galv. steel	without coating		25,0	8,3	10	1 pc.	191802